



# Reciprocating Shakers



## *Providing Consistent, Repeatable Reciprocating Shaking Action for a Variety of Applications*

OHAUS Reciprocating Shakers are designed for a range of applications including cell cultures and extraction procedures that require accurate, repeatable results. Our shakers are designed to provide consistent, uniform shaking action. The back-and-forth reciprocating motion has a 19 mm stroke length. Permanently lubricated ball bearings and maintenance-free, brushless DC motor provide reliable service and continuous-duty operation.

### *Unique Features:*

- A flexible unit for the lab - our multi-purpose Reciprocating Shakers can be customized to fit your unique workflow needs using a wide variety of accessories.
- Reciprocating motion is ideal for gentle-to-vigorous mixing of separatory funnels with the sturdy separatory funnel platform. Other optional platforms for flask clamps, media bottles and tube racks.
- Designed for safety - speed ramping feature slowly increases speed to avoid splashing. Load sensor detects unbalanced conditions and automatically reduces to a safe speed to protect samples.

# Specifications Reciprocating Shakers

| Model                          | SHRC0719DG  |
|--------------------------------|---|
| Control                        | Digital   |
| Motion                         | Reciprocating, 19 mm                                  |
| Speed Range                    | 20 rpm – 300 rpm                                      |
| Speed Accuracy                 | ± 2 rpm, Above 100 rpm ± 2% of set speed              |
| Timer                          | 1 second – 160 hours                                  |
| Capacity                       | 6.8 kg  |
| Calibration                    | Speed calibration                                     |
| Communication                  | RS232 (Included)                                      |
| Working Environment            | -10 °C – 60 °C, 80% Relative Humidity, non-condensing |
| Drive System                   | Brushless DC Motor; Single Eccentric                  |
| Included Tray (L × W)          | 279 mm × 330 mm                                       |
| Tray Construction              | Aluminum  |
| Overall Dimensions (L × W × H) | 413 mm × 355 mm × 149 mm                              |
| Net Weight                     | 21.8 kg   |
| Power                          | 230V, 2.5A, 50/60Hz                                   |
| Power Consumption              | 40 W  |

## Other Standard Features and Equipment

Built-in tray with a non-slip rubber mat (included), overload protection with audible and visual signals, audible alarm

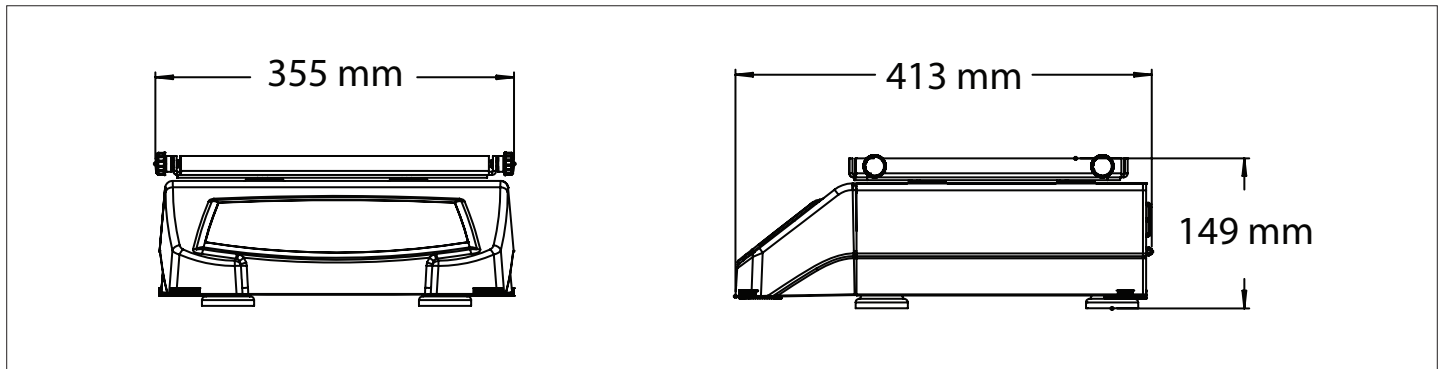
## Compliance

- **Product Safety:** EN 61010-1, EN 61010-2-051
- **Electromagnetic Compatibility:** EN 61326-1 Class A, Industrial Environments
- **Compliance Marks:** CE; RCM; UKCA; TÜV SÜD

## Applications

Chemical extractions, blood sample mixing, gel staining, cell cultures, solubility studies

## Dimensions

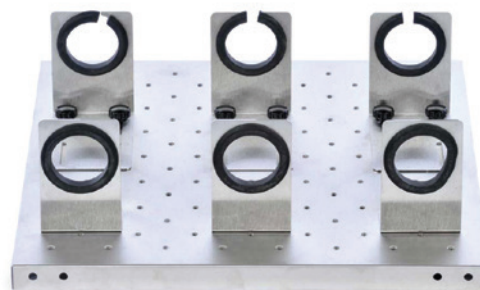


# Accessories Reciprocating Shakers

| Platforms for Reciprocating Shakers |   |
|-------------------------------------|---|
| Item No.                            | Description                             |
| 30400052                            | Universal Platform, 28 × 33 cm, S/S     |
| 30400053                            | Universal Platform, 33 × 33 cm, S/S     |
| 30400054                            | Universal Platform, 46 × 46 cm, S/S     |
| 30400056                            | Universal Platform, 61 × 46 cm, S/S     |
| 30400066                            | Culture Platform with Mat, 46 × 46 cm   |
| 30400067                            | Culture Platform with Mat, 46 × 61 cm   |
| 30400075                            | Dedicated Platform, 33 × 33 cm, 125 mL  |
| 30400076                            | Dedicated Platform, 33 × 33 cm, 250 mL  |
| 30400077                            | Dedicated Platform, 33 × 33 cm, 500 mL  |
| 30400078                            | Dedicated Platform, 33 × 33 cm, 1000 mL |
| 30400079                            | Dedicated Platform, 46 × 46 cm, 125 mL  |
| 30400080                            | Dedicated Platform, 46 × 46 cm, 250 mL  |
| 30400081                            | Dedicated Platform, 46 × 46 cm, 500 mL  |
| 30400082                            | Dedicated Platform, 46 × 46 cm, 1000 mL |
| 30400083                            | Separatory Funnel Platform 46 × 46 cm   |



30400052  
Universal Platform, 28 × 33 cm, S/S



30400083  
Separatory Funnel Platform, 46 × 46 cm

| Accessories for Universal Platform—28 × 33 cm (Item No. 30400052) |                                  |                   |
|---|----------------------------------|-------------------|
| Item No.  | Description                      | Max. per Platform |
| 30400084  | Flask Clamp, 10 mL               | 60                |
| 30400085  | Flask Clamp, 25 mL               | 25                |
| 30400086  | Flask Clamp, 50 mL               | 13                |
| 30400087  | Flask Clamp, 125 mL              | 10                |
| 30400088  | Flask Clamp, 250 mL              | 9                 |
| 30400089  | Flask Clamp, 500 mL              | 7                 |
| 30400090  | 1 Liter Erlenmeyer Flask Clamp   | 4                 |
| 30400097  | 500 mL Media Bottle Clamp        | 5                 |
| 30400098  | 1000 mL Media Bottle Clamp       | 2                 |
| 30400099  | Flask Clamp PVC 125 mL           | 10                |
| 30400100  | Flask Clamp PVC 250 mL           | 8                 |
| 30400101  | Flask Clamp PVC 500 mL           | 5                 |
| 30400102  | Flask Clamp PVC 1000 mL          | 2                 |
| 30400105  | Test Tube Rack 13 mm Pivoting    | 1                 |
| 30400106  | Test Tube Rack 16 mm Pivoting    | 1                 |
| 30400107  | Test Tube Rack 20 mm Pivoting    | 1                 |
| 30400108  | Test Tube Rack 25 mm Pivoting    | 1                 |
| 30400109  | Test Tube Rack 30 mm Pivoting    | 1                 |
| 30400114  | Micro Tube Rack                  | 2                 |
| 30400115  | Test Tube Rack 10-13 mm Diameter | 2                 |
| 30400116  | Test Tube Rack 14-16 mm Diameter | 2                 |
| 30400117  | Test Tube Rack 18-20 mm Diameter | 2                 |
| 30400118  | Test Tube Rack 22-25 mm Diameter | 2                 |
| 30400119  | Test Tube Rack For 15 mL Tubes   | 2                 |
| 30400120  | Test Tube Rack For 50 mL Tubes   | 2                 |
| 30400104  | Clamp Microplate Stainless Steel | 4                 |
| 30400060  | Rubber Mat, 28 × 33 cm           | 1                 |

| Accessories for Universal Platform—33 × 33 cm (Item No. 30400053) |                                  |                   |
|---|----------------------------------|-------------------|
| Item No.  | Description                      | Max. per Platform |
| 30400084  | Flask Clamp, 10 mL               | 60                |
| 30400085  | Flask Clamp, 25 mL               | 30                |
| 30400086  | Flask Clamp, 50 mL               | 15                |
| 30400087  | Flask Clamp, 125 mL              | 12                |
| 30400088  | Flask Clamp, 250 mL              | 12                |
| 30400089  | Flask Clamp, 500 mL              | 8                 |
| 30400090  | 1 Liter Erlenmeyer Flask Clamp   | 4                 |
| 30400091  | 2 Liter Erlenmeyer Flask Clamp   | 3                 |
| 30400092  | 2.8 Liter Erlenmeyer Flask Clamp | 1                 |
| 30400093  | 3 Liter Erlenmeyer Flask Clamp   | 1                 |
| 30400094  | 4 Liter Erlenmeyer Flask Clamp   | 1                 |
| 30400095  | 5 Liter Erlenmeyer Flask Clamp   | 1                 |
| 30400096  | 6 Liter Erlenmeyer Flask Clamp   | 1                 |
| 30400097  | 500 mL Media Bottle Clamp        | 6                 |
| 30400098  | 1000 mL Media Bottle Clamp       | 5                 |
| 30400099  | Flask Clamp PVC 125 mL           | 12                |
| 30400100  | Flask Clamp PVC 250 mL           | 10                |
| 30400101  | Flask Clamp PVC 500 mL           | 6                 |
| 30400102  | Flask Clamp PVC 1000 mL          | 4                 |
| 30400103  | Flask Clamp PVC 2000 mL          | 3                 |
| 30400105  | Test Tube Rack 13 mm Pivoting    | 2                 |
| 30400106  | Test Tube Rack 16 mm Pivoting    | 2                 |
| 30400107  | Test Tube Rack 20 mm Pivoting    | 2                 |
| 30400108  | Test Tube Rack 25 mm Pivoting    | 2                 |
| 30400109  | Test Tube Rack 30 mm Pivoting    | 2                 |
| 30400114  | Micro Tube Rack                  | 2                 |
| 30400115  | Test Tube Rack 10-13 mm Diameter | 2                 |
| 30400116  | Test Tube Rack 14-16 mm Diameter | 2                 |
| 30400117  | Test Tube Rack 18-20 mm Diameter | 2                 |
| 30400118  | Test Tube Rack 22-25 mm Diameter | 2                 |
| 30400119  | Test Tube Rack For 15 mL Tubes   | 2                 |
| 30400120  | Test Tube Rack For 50 mL Tubes   | 2                 |
| 30400104  | Clamp Microplate Stainless Steel | 6                 |
| 30400061  | Rubber Mat, 33 × 33 cm           | 1                 |

# Accessories Reciprocating Shakers

| Accessories for Universal Platform—46 × 46 cm (Item No. 30400054) |                                       |                   |
|---|---------------------------------------|-------------------|
| Item No.  | Description                           | Max. per Platform |
| 30400084  | Flask Clamp, 10 mL                    | 113               |
| 30400085  | Flask Clamp, 25 mL                    | 64                |
| 30400086  | Flask Clamp, 50 mL                    | 32                |
| 30400087  | Flask Clamp, 125 mL                   | 20                |
| 30400088  | Flask Clamp, 250 mL                   | 20                |
| 30400089  | Flask Clamp, 500 mL                   | 13                |
| 30400090  | 1 Liter Erlenmeyer Flask Clamp        | 8                 |
| 30400091  | 2 Liter Erlenmeyer Flask Clamp        | 5                 |
| 30400092  | 2.8 Liter Erlenmeyer Flask Clamp      | 2                 |
| 30400093  | 3 Liter Erlenmeyer Flask Clamp        | 2                 |
| 30400094  | 4 Liter Erlenmeyer Flask Clamp        | 4                 |
| 30400095  | 5 Liter Erlenmeyer Flask Clamp        | 4                 |
| 30400096  | 6 Liter Erlenmeyer Flask Clamp        | 2                 |
| 30400097  | 500 mL Media Bottle Clamp             | 16                |
| 30400098  | 1000 mL Media Bottle Clamp            | 10                |
| 30400099  | Flask Clamp PVC 125 mL                | 20                |
| 30400100  | Flask Clamp PVC 250 mL                | 18                |
| 30400101  | Flask Clamp PVC 500 mL                | 12                |
| 30400102  | Flask Clamp PVC 1000 mL               | 8                 |
| 30400103  | Flask Clamp PVC 2000 mL               | 4                 |
| 30400105  | Test Tube Rack 13 mm Pivoting         | 2                 |
| 30400106  | Test Tube Rack 16 mm Pivoting         | 2                 |
| 30400107  | Test Tube Rack 20 mm Pivoting         | 2                 |
| 30400108  | Test Tube Rack 25 mm Pivoting         | 2                 |
| 30400109  | Test Tube Rack 30 mm Pivoting         | 2                 |
| 30400110  | Test Tube Rack 10-14 mm Stationary    | 3                 |
| 30400111  | Test Tube Rack 16-20 mm Stationary    | 3                 |
| 30400112  | Test Tube Rack 21-25 mm Stationary    | 3                 |
| 30400113  | Test Tube Rack 50 mL Tubes Stationary | 3                 |
| 30400114  | Micro Tube Rack                       | 4                 |
| 30400115  | Test Tube Rack 10-13 mm Diameter      | 4                 |
| 30400116  | Test Tube Rack 14-16 mm Diameter      | 4                 |
| 30400117  | Test Tube Rack 18-20 mm Diameter      | 4                 |
| 30400118  | Test Tube Rack 22-25 mm Diameter      | 4                 |
| 30400119  | Test Tube Rack For 15 mL Tubes        | 4                 |
| 30400120  | Test Tube Rack For 50 mL Tubes        | 4                 |
| 30400104  | Clamp Microplate Stainless Steel      | 12                |
| 30400062  | Rubber Mat, 46 × 46 cm                | 1                 |

| Accessories for Universal Platform—61 × 46 cm (Item No. 30400056) |                                       |                   |
|---|---------------------------------------|-------------------|
| Item No.  | Description                           | Max. per Platform |
| 30400084  | Flask Clamp, 10 mL                    | 158               |
| 30400085  | Flask Clamp, 25 mL                    | 88                |
| 30400086  | Flask Clamp, 50 mL                    | 44                |
| 30400087  | Flask Clamp, 125 mL                   | 28                |
| 30400088  | Flask Clamp, 250 mL                   | 28                |
| 30400089  | Flask Clamp, 500 mL                   | 20                |
| 30400090  | 1 Liter Erlenmeyer Flask Clamp        | 12                |
| 30400091  | 2 Liter Erlenmeyer Flask Clamp        | 6                 |
| 30400092  | 2.8 Liter Erlenmeyer Flask Clamp      | 3                 |
| 30400093  | 3 Liter Erlenmeyer Flask Clamp        | 3                 |
| 30400094  | 4 Liter Erlenmeyer Flask Clamp        | 4                 |
| 30400095  | 5 Liter Erlenmeyer Flask Clamp        | 4                 |
| 30400096  | 6 Liter Erlenmeyer Flask Clamp        | 3                 |
| 30400097  | 500 mL Media Bottle Clamp             | 20                |
| 30400098  | 1000 mL Media Bottle Clamp            | 13                |
| 30400099  | Flask Clamp PVC 125 mL                | 28                |
| 30400100  | Flask Clamp PVC 250 mL                | 25                |
| 30400101  | Flask Clamp PVC 500 mL                | 16                |
| 30400102  | Flask Clamp PVC 1000 mL               | 10                |
| 30400103  | Flask Clamp PVC 2000 mL               | 6                 |
| 30400105  | Test Tube Rack 13 mm Pivoting         | 3                 |
| 30400106  | Test Tube Rack 16 mm Pivoting         | 3                 |
| 30400107  | Test Tube Rack 20 mm Pivoting         | 3                 |
| 30400108  | Test Tube Rack 25 mm Pivoting         | 3                 |
| 30400109  | Test Tube Rack 30 mm Pivoting         | 3                 |
| 30400110  | Test Tube Rack 10-14 mm Stationary    | 5                 |
| 30400111  | Test Tube Rack 16-20 mm Stationary    | 5                 |
| 30400112  | Test Tube Rack 21-25 mm Stationary    | 5                 |
| 30400113  | Test Tube Rack 50 mL Tubes Stationary | 5                 |
| 30400114  | Micro Tube Rack                       | 6                 |
| 30400115  | Test Tube Rack 10-13 mm Diameter      | 6                 |
| 30400116  | Test Tube Rack 14-16 mm Diameter      | 6                 |
| 30400117  | Test Tube Rack 18-20 mm Diameter      | 6                 |
| 30400118  | Test Tube Rack 22-25 mm Diameter      | 6                 |
| 30400119  | Test Tube Rack For 15 mL Tubes        | 6                 |
| 30400120  | Test Tube Rack For 50 mL Tubes        | 6                 |
| 30400104  | Clamp Microplate Stainless Steel      | 18                |
| 30400063  | Rubber Mat, 46 × 61 cm                | 1                 |



30400096  
6 Liter Erlenmeyer Flask Clamp



30400102  
Flask Clamp PVC 1000 mL



30400093  
3 Liter Erlenmeyer Flask Clamp



30400120  
Test Tube Rack For 50 mL Tubes

80775343\_B 20221128 © Copyright OHAUS Corporation







# WolfLabs

**Pricing on any accessories shown can be found by keying the part number into the search box on our website.**

The specifications listed in this brochure are subject to change by the manufacturer and therefore cannot be guaranteed to be correct. If there are aspects of the specification that must be guaranteed, please provide these to our sales team so that details can be confirmed.

**[www.wolflabs.co.uk](http://www.wolflabs.co.uk)**

**Tel : 01759 301142**

**Fax : 01759 301143**

**[sales@wolflabs.co.uk](mailto:sales@wolflabs.co.uk)**

Please contact us if this literature doesn't answer all your questions.